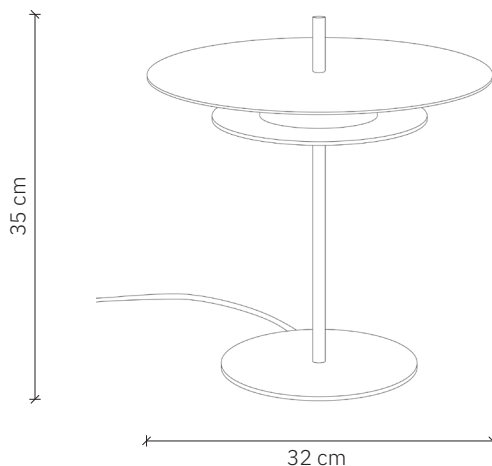


# Aeroplan Table

design: 2023, Cezary Zadorożny



<b>Model</b>	Aeroplan Wall
<b>Material</b>	Aluminium   Glass
<b>Finish</b>	Painted aluminium, sanblasted glass
<b>Dimensions</b>	Lampshade diameter: 32 cm, base diameter: 19 cm, H: 35 cm
<b>Power cord</b>	Power cable in black silicone braid
<b>Power supply</b>	LED driver – integrated
<b>Light Source</b>	LED module 14W, dimmable (with an in-line dimmer)
<b>Weight</b>	1,6 kg

## User Manual:

- Gently remove the packaging.
- Before starting the installation, check if the product is complete and contains all elements without any damage.
- Check if all cables have undamaged insulation of wires and conductors.
- If any damage occurred during transport, report it to the seller.
- Turn off the power in the room where the lamp will be installed. Switch off the circuit breakers or the main power switch.
- It is recommended that the fixture be installed by an electrician or a properly trained person.
- The manufacturer does not provide wall plugs with the lamp. It is recommended to purchase plugs specifically designed for the mounting surface.
- Use only recommended bulbs to avoid overheating.

## Maintenance Tips:

- Use a soft, dry, or slightly damp cloth to wipe off dust.
- Do not use any aggressive cleaning agents, as this may cause permanent stains or discoloration of the lamp.
- Keep the user manual.



# Aeroplan Table

design: 2023, Cezary Zadorożny

Model	Aeroplan Table
EAN code	5902730887461
Producer	LOFTLIGHT   Bottonova Sp. z o. o.
Design	Cezary Zadorożny
Type	Table lamp
Materials	Aluminium   Sandblasted glass
Finish	Painted aluminium, sanblasted glass
Lampshade diameter	32 cm
Base diameter	19 cm
Height	35 cm
Power cord	Power cable in black silicone braid
Standard cord length	160 cm
Power supply	LED driver – integrated, 220-240V
Light source	LED module 14W, dimmable (with an in-line dimmer)
Light colour	3000 K
Light stream	~1400 lm
Color Rendering Index	95 Ra
Number of light points	1
Weight	1,6 kg
IP protection degree	IP20

