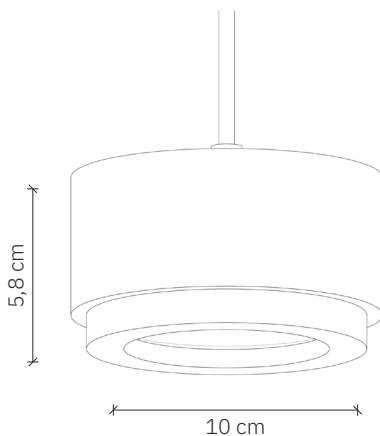


Jubi Pendant Concrete

design: 2024, Cezary Zadorożny



Model	Jubi Pendant Concrete
Material	Aluminium Concrete Glass
Finish	Painted aluminium, coloured concrete, sandblasted glass
Dimensions	Ø 10 cm, H: 5,8 cm
Power cord	Power cable in black silicone braid
Power supply	LED driver – integrated
Light Source	LED module 8W, dimmable
Ceiling rose	Dedicated aluminum ceiling rose
Weight	-

User Manual:

- Gently remove the packaging.
- Before starting the installation, check if the product is complete and contains all elements without any damage.
- Check if all cables have undamaged insulation of wires and conductors.
- If any damage occurred during transport, report it to the seller.
- Turn off the power in the room where the lamp will be installed. Switch off the circuit breakers or the main power switch.
- It is recommended that the fixture be installed by an electrician or a properly trained person.
- The manufacturer does not provide wall plugs with the lamp. It is recommended to purchase plugs specifically designed for the mounting surface.
- Use only recommended bulbs to avoid overheating.
- It is recommended to install with gloves.

Maintenance Tips:

- Use a soft, dry, or slightly damp cloth to wipe off dust.
- Do not use any aggressive cleaning agents, as this may cause permanent stains or discoloration of the lamp.
- Keep the user manual.



Jubi Pendant Concrete

design: 2024, Cezary Zadorożny

Model	Jubi Pendant Concrete
EAN code	5902730888963
Producer	LOFTLIGHT Bottonova Sp. z o. o.
Design	Cezary Zadorożny
Type	Pendant lamp
Materials	Aluminium Concrete Sandblasted glass
Finish	Painted aluminium, coloured concrete, sandblasted glass
Diameter	10 cm
Height	5,8 cm
Power cord	Power cable in black silicone braid
Standard cord length	120 cm
Power supply	LED driver – integrated, 220-240V
Light source	LED module 8W, dimmable
Light colour	3000 K
Color Rendering Index	95 Ra
Light stream	~800 lm
Ceiling rose	Dedicated aluminum ceiling rose
Number of light points	1
Weight	-
IP protection degree	IP20

