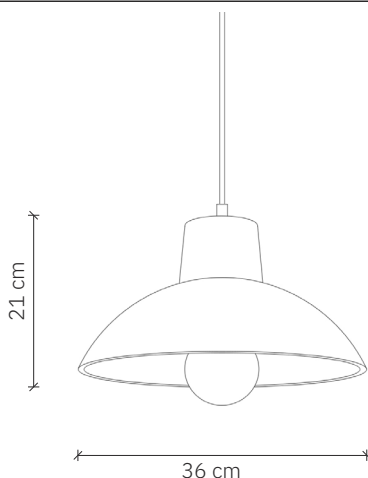


# Korta 3 Concrete

design: 2015, Cezary Zadorożny



<b>Model</b>	Korta 3 Concrete
<b>Material</b>	Hand-cast concrete
<b>Finish</b>	Coloured concrete
<b>Dimensions</b>	Ø 36 cm, H: 21 cm
<b>Power cord</b>	Power cable in black silicone braid
<b>Power supply</b>	220-240V
<b>Light Source</b>	E27 max. 40 W (bulb sold separately)
<b>Ceiling rose</b>	Dedicated concrete ceiling rose
<b>Weight</b>	-

## User Manual:

- Gently remove the packaging.
- Before starting the installation, check if the product is complete and contains all elements without any damage.
- Check if all cables have undamaged insulation of wires and conductors.
- If any damage occurred during transport, report it to the seller.
- Turn off the power in the room where the lamp will be installed. Switch off the circuit breakers or the main power switch.
- It is recommended that the fixture be installed by an electrician or a properly trained person.
- The manufacturer does not provide wall plugs with the lamp. It is recommended to purchase plugs specifically designed for the mounting surface.
- Use only recommended bulbs to avoid overheating.
- It is recommended to install with gloves.

## Maintenance Tips:

- Use a soft, dry, or slightly damp cloth to wipe off dust.
- Do not use any aggressive cleaning agents, as this may cause permanent stains or discoloration of the lamp.
- Keep the user manual.



# Korta 3 Concrete

design: 2015, Cezary Zadorożny

Model	Korta 3 Concrete
EAN code	5902730886105
Producer	LOFTLIGHT   Bottonova Sp. z o. o.
Design	Cezary Zadorożny
Type	Pendant lamp
Materials	Hand-cast concrete
Finish	Coloured concrete
Diameter	36 cm
Height	21 cm
Power cord	Power cable in black silicone braid
Standard cord length	120 cm
Power supply	220-240V
Light source	E27 max. 40 W (bulb sold separately)
Ceiling rose	Dedicated concrete ceiling rose
Number of light points	1
Weight	-
IP protection degree	IP20

