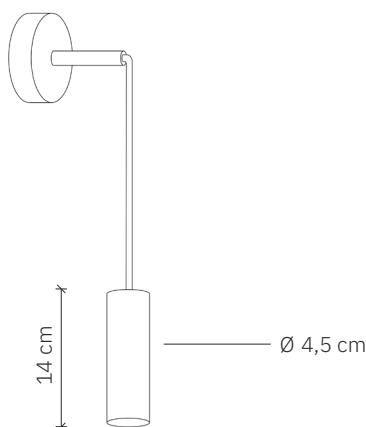


Matuba LED Wall

design: 2023, Cezary Zadorożny



Model	Matuba LED Wall
Material	Aluminium
Finish	Painted aluminium
Dimensions	Ø 4,5 cm, H: 14 cm
Power cord	Power cable in black silicone braid
Power supply	LED driver – integrated
Light Source	LED module 6W, dimmable
Wall mounting cover	Dedicated aluminum ceiling rose
Weight	0,42 kg

User Manual:

- Gently remove the packaging.
- Before starting the installation, check if the product is complete and contains all elements without any damage.
- Check if all cables have undamaged insulation of wires and conductors.
- If any damage occurred during transport, report it to the seller.
- Turn off the power in the room where the lamp will be installed. Switch off the circuit breakers or the main power switch.
- It is recommended that the fixture be installed by an electrician or a properly trained person.
- The manufacturer does not provide wall plugs with the lamp. It is recommended to purchase plugs specifically designed for the mounting surface.
- Use only recommended bulbs to avoid overheating.
- It is recommended to install with gloves.

Maintenance Tips:

- Use a soft, dry, or slightly damp cloth to wipe off dust.
- Do not use any aggressive cleaning agents, as this may cause permanent stains or discoloration of the lamp.
- Keep the user manual.



Matuba LED Wall

design: 2023, Cezary Zadorożny

Model	Matuba LED Wall
EAN code	5902730888444
Producer	LOFTLIGHT Bottonova Sp. z o. o.
Design	Cezary Zadorożny
Type	Wall lamp
Materials	Aluminium
Finish	Painted aluminium
Diameter	10,5 cm
Height	23,5 cm
Power cord	Power cable in black silicone braid
Standard cord length	20 cm
Power supply	LED driver – integrated, 220-240V
Light source	LED module 6W, dimmable
Light colour	3000 K
Light stream	~600 lm
Color Rendering Index	95 Ra
Wall mounting cover	Dedicated aluminum ceiling rose
Number of light points	1
Weight	0,42 kg
IP protection degree	IP20

