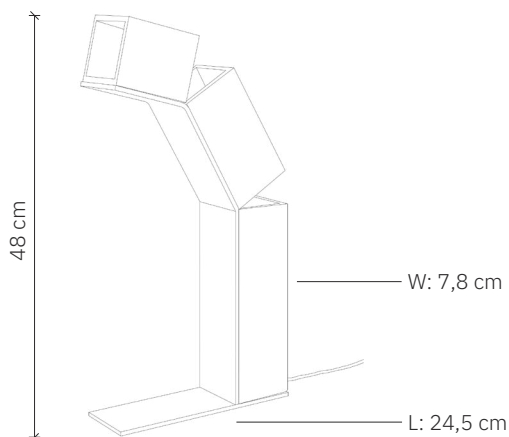


Robot

design: 2022, Cezary Zadorožny, Joseph Caspari



Model	Robot
Material	Hand-cast concrete Steel
Finish	Coloured concrete, stainless steel
Dimensions	W: 7,8 cm, L: 24,5 cm, H: 48 cm
Power cord	Power cable in black silicone braid
Power supply	220-240V
Light Source	2X 6 W LED, ~3000 K
Weight	-

User Manual:

- Gently remove the packaging.
- Before starting the installation, check if the product is complete and contains all elements without any damage.
- Check if all cables have undamaged insulation of wires and conductors.
- If any damage occurred during transport, report it to the seller.
- Turn off the power in the room where the lamp will be installed. Switch off the circuit breakers or the main power switch.
- It is recommended that the fixture be installed by an electrician or a properly trained person.
- The manufacturer does not provide wall plugs with the lamp. It is recommended to purchase plugs specifically designed for the mounting surface.
- Use only recommended bulbs to avoid overheating.
- It is recommended to install with gloves.

Maintenance Tips:

- Use a soft, dry, or slightly damp cloth to wipe off dust.
- Do not use any aggressive cleaning agents, as this may cause permanent stains or discoloration of the lamp.
- Keep the user manual.



Robot

design: 2022, Cezary Zadorożny, Joseph Caspari

Model	Robot
EAN code	5902730887959
Producer	LOFTLIGHT Bottonova Sp. z o. o.
Design	Cezary Zadorożny, Joseph Caspari
Type	Table lamp
Materials	Hand-cast concrete Steel
Finish	Coloured concrete, stainless steel
Lampshade width	7,8 cm
Base length	24,5 cm
Height	48 cm
Power cord	Power cable in black silicone braid
Standard cord length	160 cm
Power supply	220-240V
Light source	2x 6 W LED
Light colour	3000 K
Light stream	~600 lm
Color Rendering Index	95 Ra
Number of light points	2
Weight	-
IP protection degree	IP20

