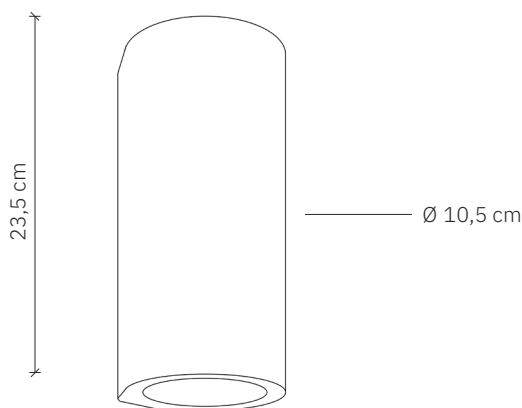


# Rulon

design: 2018, Cezary Zadorożny



<b>Model</b>	Rulon
<b>Material</b>	Hand-cast concrete
<b>Finish</b>	Coloured concrete
<b>Dimensions</b>	Ø 10,5 cm, H: 23,5 cm
<b>Power supply</b>	220-240V
<b>Light Source</b>	2 x GU10 max. 15W or 2 x 6W LED
<b>Weight</b>	1,5 kg

## User Manual:

- Gently remove the packaging.
- Before starting the installation, check if the product is complete and contains all elements without any damage.
- Check if all cables have undamaged insulation of wires and conductors.
- If any damage occurred during transport, report it to the seller.
- Turn off the power in the room where the lamp will be installed. Switch off the circuit breakers or the main power switch.
- It is recommended that the fixture be installed by an electrician or a properly trained person.
- The manufacturer does not provide wall plugs with the lamp. It is recommended to purchase plugs specifically designed for the mounting surface.
- Use only recommended bulbs to avoid overheating.

## Maintenance Tips:

- Use a soft, dry, or slightly damp cloth to wipe off dust.
- Do not use any aggressive cleaning agents, as this may cause permanent stains or discoloration of the lamp.
- Keep the user manual.



# Rulon

design: 2018, Cezary Zadorożny

Model	Rulon
EAN code	GU10: 5902730887157; LED: 5902730886303
Producer	LOFTLIGHT   Bottonova Sp. z o. o.
Design	Cezary Zadorożny
Type	Wall lamp
Materials	Hand-cast concrete
Finish	Coloured concrete
Diameter	10,5 cm
Height	23,5 cm
Power supply	220-240V
Light source	2 x GU10 max. 15W or 2 x 6W LED
Light colour	3000 K
Light stream	2x ~600 lm (LED version)
Color Rendering Index	95 Ra
Number of light points	2
Weight	1,5 kg
IP protection degree	IP20

